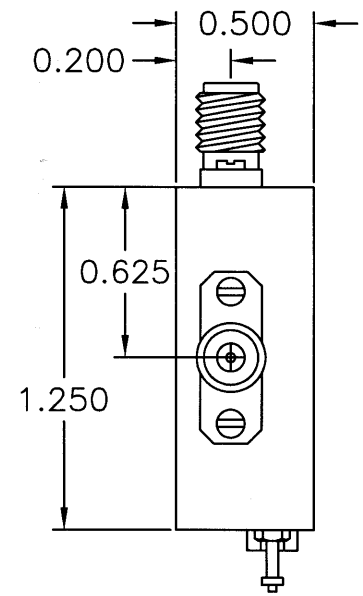
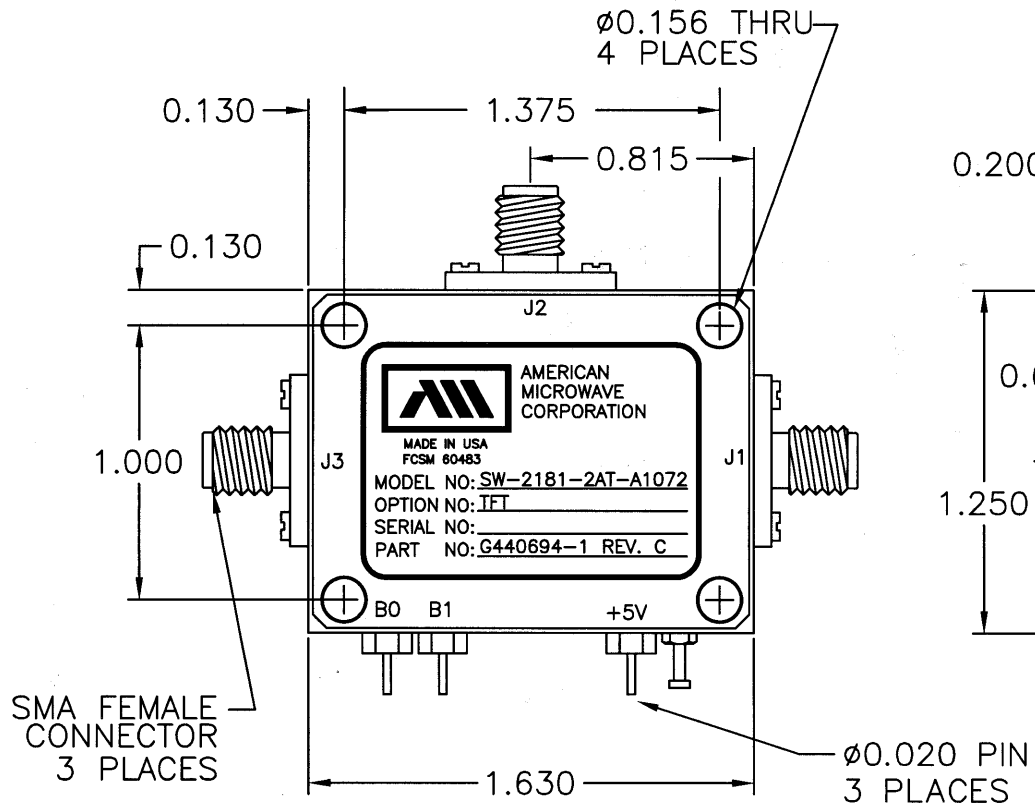


DESCRIPTION

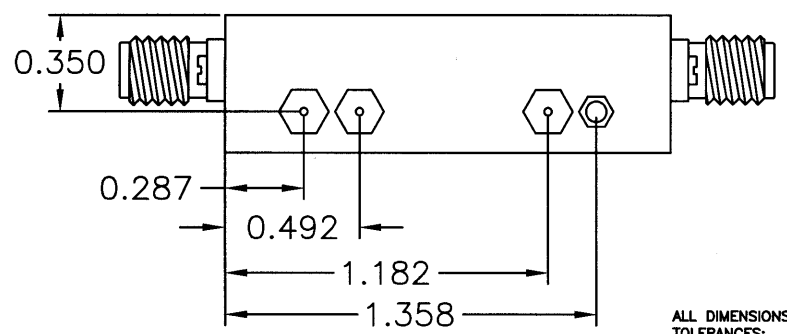
AMC MODEL SW-2181-2AT-A1072 & A2072 OPTION: TFT IS AN ABSORPTIVE/NON-REFLECTIVE SINGLE POLE TWO THROW SWITCH MODULE WITH INTEGRAL DRIVER, DESIGNED TO OPERATE WITH A SINGLE POSITIVE SUPPLY VOLTAGE.

REVISIONS				
ZONE	REV.	DESCRIPTION	DATE	APPROVED
	-	ORIGINAL RELEASE JOB# 501012X-1	2/15/05	



MECHANICAL OUTLINE

TRUTH TABLE		
B1	B0	RF PATH
0	0	J1-J2
0	1	J1-J2
1	0	J1-J3
1	1	ALL ISOLATED



ALL DIMENSIONS ARE IN INCHES
 TOLERANCES:
 X.XX ±0.020
 X.XXX ±0.010

AMERICAN MICROWAVE CORPORATION

7311-G GROVE ROAD
 FREDERICK, MARYLAND 21704 USA
 TEL: 301-662-4700 FAX: 301-662-4938
 WEBSITE: www.americamicrowavecorp.com
 E-MAIL: sales@americamicrowavecorp.com
 ISO 9001:2000 CERTIFIED



APPROVALS		DATE	TITLE			
DRAWN <i>JDJ</i>		2/15/05	MECHANICAL OUTLINE SW-2181-2AT-A1072 & A2072 OPTION: TFT			
CHECKED			2.7-2.9 GHz, SINGLE POLE TWO THROW SWITCH			
ISSUED			SIZE A	FCSM NO. 60483	DWG NO. 100-7336	REV. -
			SCALE N:S	SHEET 2 OF 3		

DESCRIPTION

AMC MODEL SW-2181-2AT-A1072 & A2072 OPTION: TFT IS AN ABSORPTIVE/NON-REFLECTIVE SINGLE POLE TWO THROW SWITCH MODULE WITH INTEGRAL DRIVER, DESIGNED TO OPERATE WITH A SINGLE POSITIVE SUPPLY VOLTAGE.

SPECIFICATIONS

- FREQUENCY RANGE: 2.7 TO 2.9 GHz
- INSERTION LOSS:
 - A1072: 1.3 dB MAXIMUM
 - A2072: 1.1 dB MAXIMUM
- ISOLATION:
 - A1072: 70 dB MINIMUM
 - A2072: 50 dB MINIMUM
- RETURN LOSS: -16 dB MINIMUM
- RF POWER RATINGS: +20 dBm CW MAXIMUM
- RISE TIME: 500 nSec MAXIMUM (10% RF TO 90% RF)
- FALL TIME: 500 nSec MAXIMUM (90% RF TO 10% RF)
- DELAY ON: 1 uSec MAXIMUM (50% TTL TO 90% RF)
- DELAY OFF: 1 uSec MAXIMUM (50% TTL TO 10% RF)
- CONTROLS: TTL COMPATIBLE, UNITY LOAD
2 INDIVIDUAL CONTROLS
LOGIC "0" = INSERTION LOSS
LOGIC "1" = ISOLATION
(SEE TRUTH TABLE)
- SUPPLY POWER: +5VDC ±5% @ 220 mA MAXIMUM
- CONNECTORS
 - RF INPUT/OUTPUT: SMA FEMALE
 - POWER: SOLDER PIN
 - CONTROL: SOLDER PIN
- WEIGHT: 1.63" x 1.25" x 0.50"

OPTIONS:

- TFT: THREADED FEEDTHRU

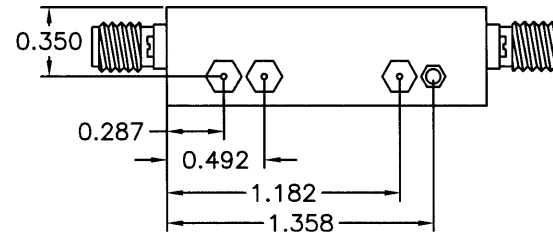
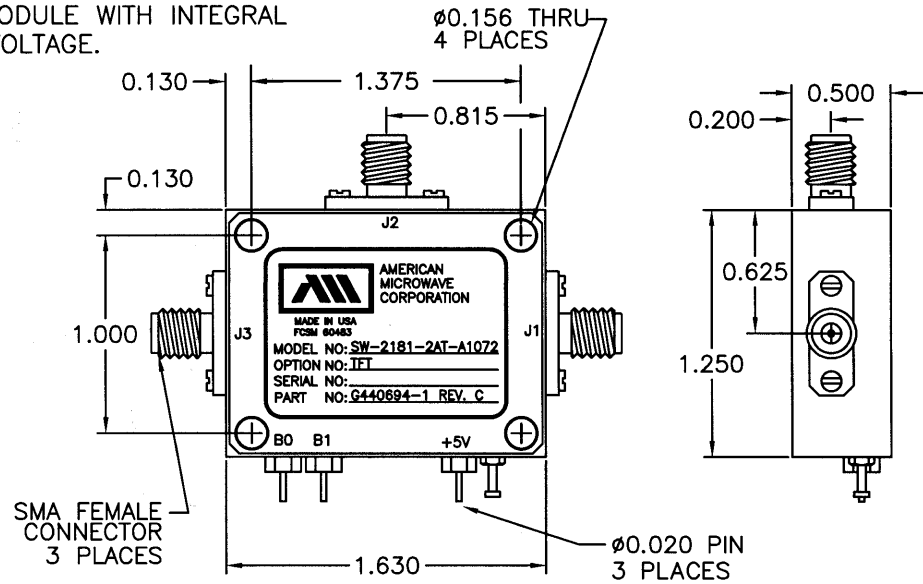
ENVIRONMENTAL RATINGS:

- OPERATING SPECIFICATIONS
 - AMBIENT TEMPERATURE: 0°C TO +60°C
 - RELATIVE HUMIDITY: 10 TO 80% NON-CONDENSING
 - ALTITUDE: 10,000 FEET
- NON-OPERATING SPECIFICATIONS
 - AMBIENT TEMPERATURE: -40°C TO +70°C
 - RELATIVE HUMIDITY: UP TO 95% NON-CONDENSING
 - ALTITUDE: 50,000 FEET
- SHOCK: MIL-STD-202F, METHOD 213B COND. B
- VIBRATION: MIL-STD-202F, METHOD 204D COND. B
- TEMPERATURE CYCLE: MIL-STD-202F, METHOD 107D COND. A

NOTE: SPECIFICATIONS WILL VARY OVER OPERATING TEMPERATURE
NOTE: THE ABOVE SPECIFICATIONS ARE SUBJECT TO CHANGE OR REVISION

ALL DIMENSIONS ARE IN INCHES
TOLERANCES:
X.XX ±0.020
X.XXX ±0.010

REVISIONS				
ZONE	REV.	DESCRIPTION	DATE	APPROVED
	-	ORIGINAL RELEASE JOB# 501012X-1	2/15/05	



TRUTH TABLE		
B1	B0	RF PATH
0	0	J1-J2
0	1	J1-J2
1	0	J1-J3
1	1	ALL ISOLATED

AMERICAN MICROWAVE CORPORATION

7311-G GROVE ROAD
FREDERICK, MARYLAND 21704 USA
TEL: 301-662-4700 FAX: 301-662-4938
WEBSITE: www.americanmicrowavecorp.com
E-MAIL: sales@americanmicrowavecorp.com
ISO 9001:2000 CERTIFIED



APPROVALS		DATE	TITLE		
DRAWN <i>JDJ</i>		2/15/05	PRODUCT FEATURE SW-2181-2AT-A1072 & A2072 OPTION: TFT		
CHECKED			2.7-2.9 GHz, SINGLE POLE TWO THROW SWITCH		
ISSUED			SIZE A	FSCM NO. 60483	DWG NO. 100-7336
			SCALE N:S	SHEET 1 OF 3	